

JVC

SCHEMATIC DIAGRAMS

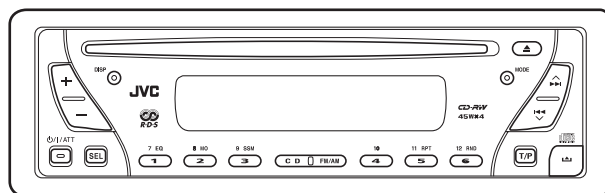
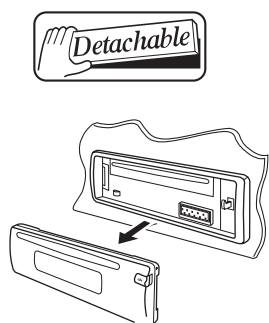
CD RECEIVER

KD-G151, KD-G152 KD-S1501

CD-ROM No.SML200502

Area suffix

E ----- Southern Europe
EX ----- Northern Europe
EY ----- Eastern Europe
EU ----- Turkey




	KD-G151	KD-G152	KD-S1501
STEERING CABLE	×	×	○
2-COLOR ILLUMINATION	×	×	○
CONTROL PANEL	SILVER	BLACK	BLACK

Contents

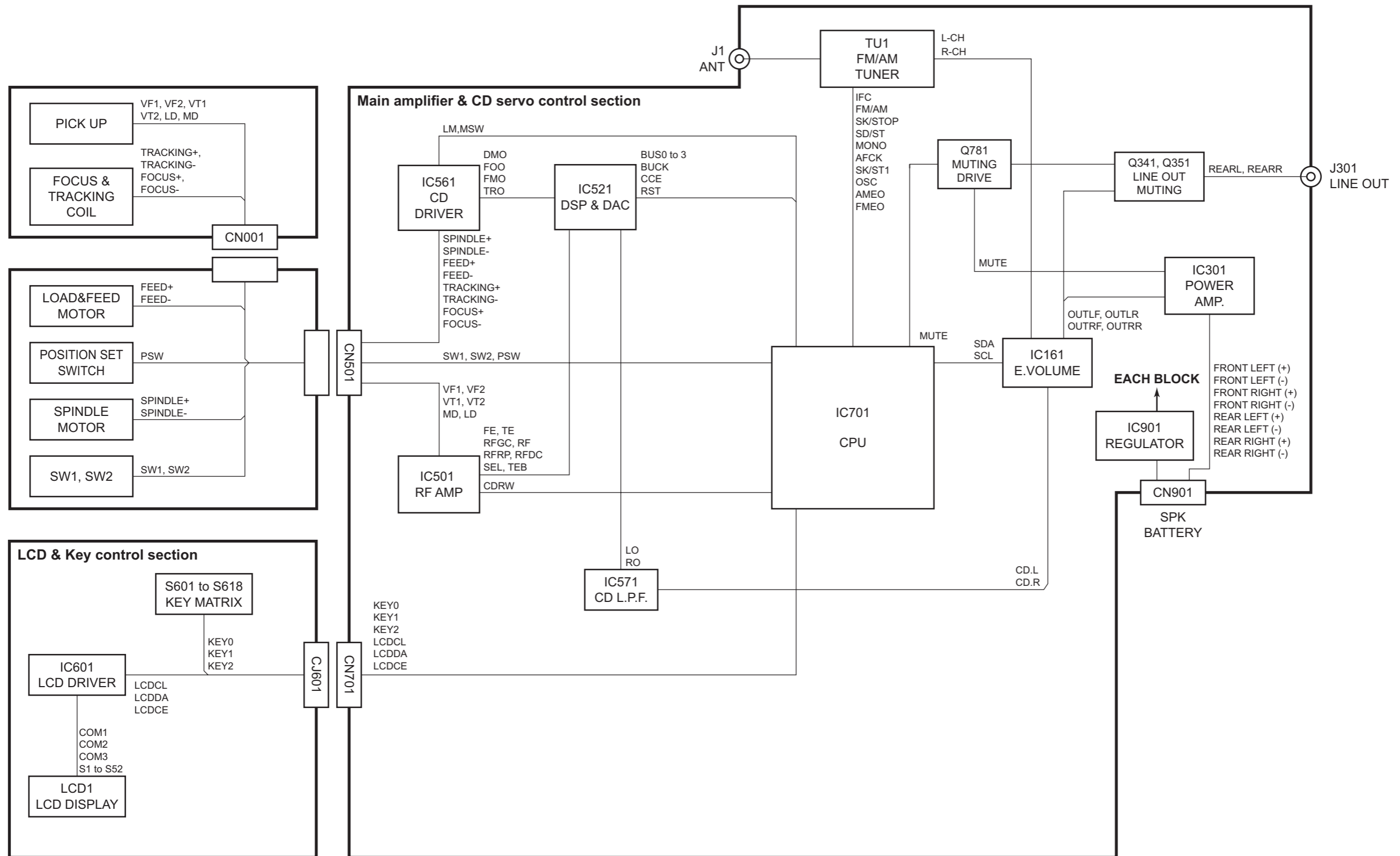
Block diagram (For KD-G151 and KD-G152)	2-1
Standard schematic diagrams (For KD-G151 and KD-G152 E,EX,EY,EU version)	2-2
Printed circuit boards (For KD-G151 and KD-G152 E,EX,EY,EU version)	2-5
Standard schematic diagrams (For KD-G151 and KD-G152 E2,EX2,EY2,EU2 version)	2-6
Printed circuit boards (For KD-G151 and KD-G152 E2,EX2,EY2,EU2 version)	2-9
Block diagram (For KD-S1501)	2-10
Standard schematic diagrams (For KD-S1501 E,EX,EY,EU version)	2-11
Printed circuit boards (For KD-S1501 E,EX,EY,EU version)	2-14
Standard schematic diagrams (For KD-S1501 E2,EX2,EY2,EU2 version)	2-15
Printed circuit boards (For KD-S1501 E2,EX2,EY2,EU2 version)	2-18

Safety precaution

 **CAUTION** Burrs formed during molding may be left over on some parts of the chassis. Therefore, pay attention to such burrs in the case of performing repair of this system.

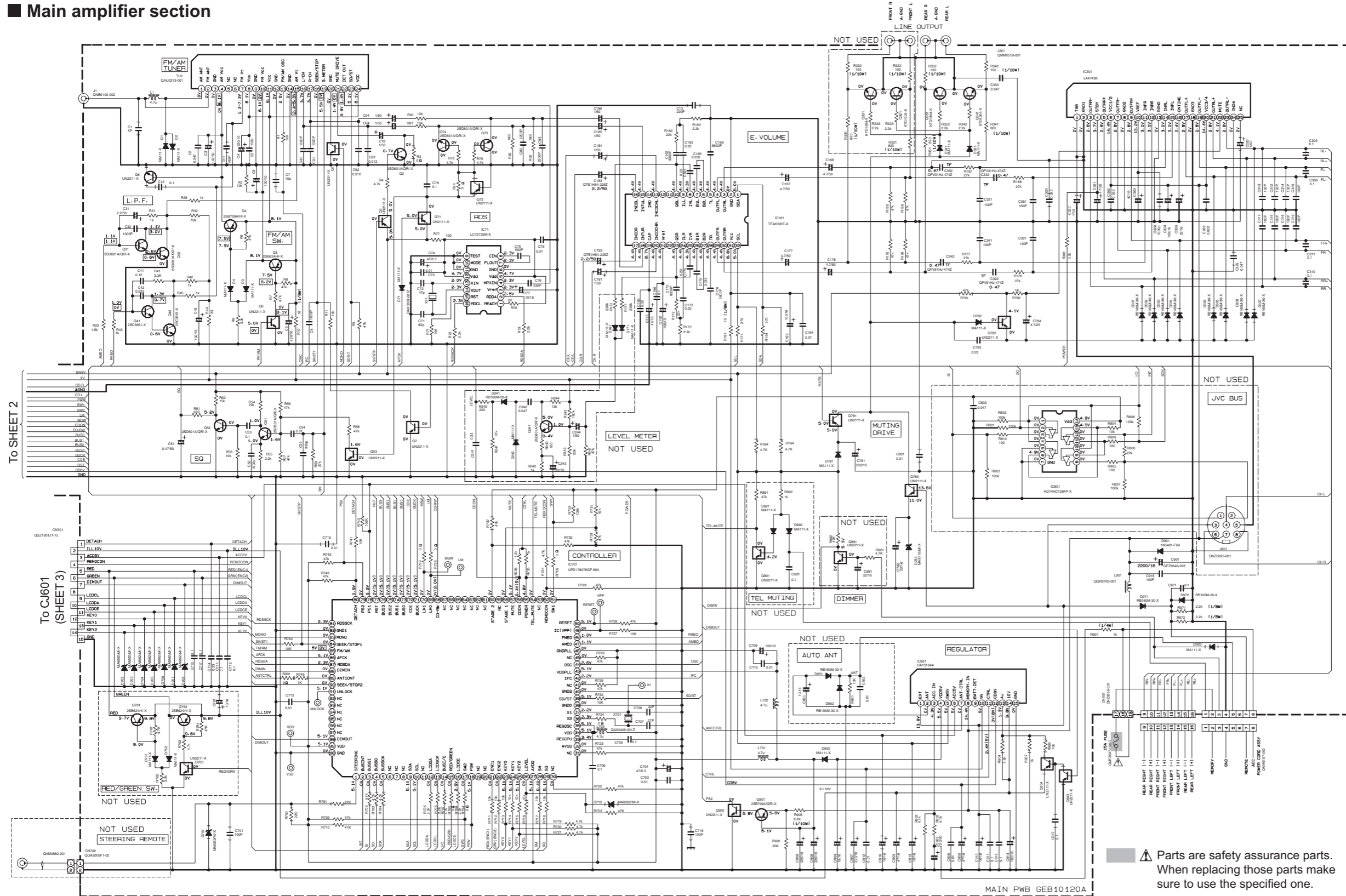
 **CAUTION** Please use enough caution not to see the beam directly or touch it in case of an adjustment or operation check.

Block diagram (For KD-G151 and KD-G152)



Standard schematic diagrams (For KD-G151 and KD-G152 E, EX, EY, EU version)

■ Main amplifier section



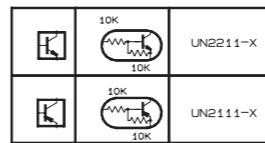
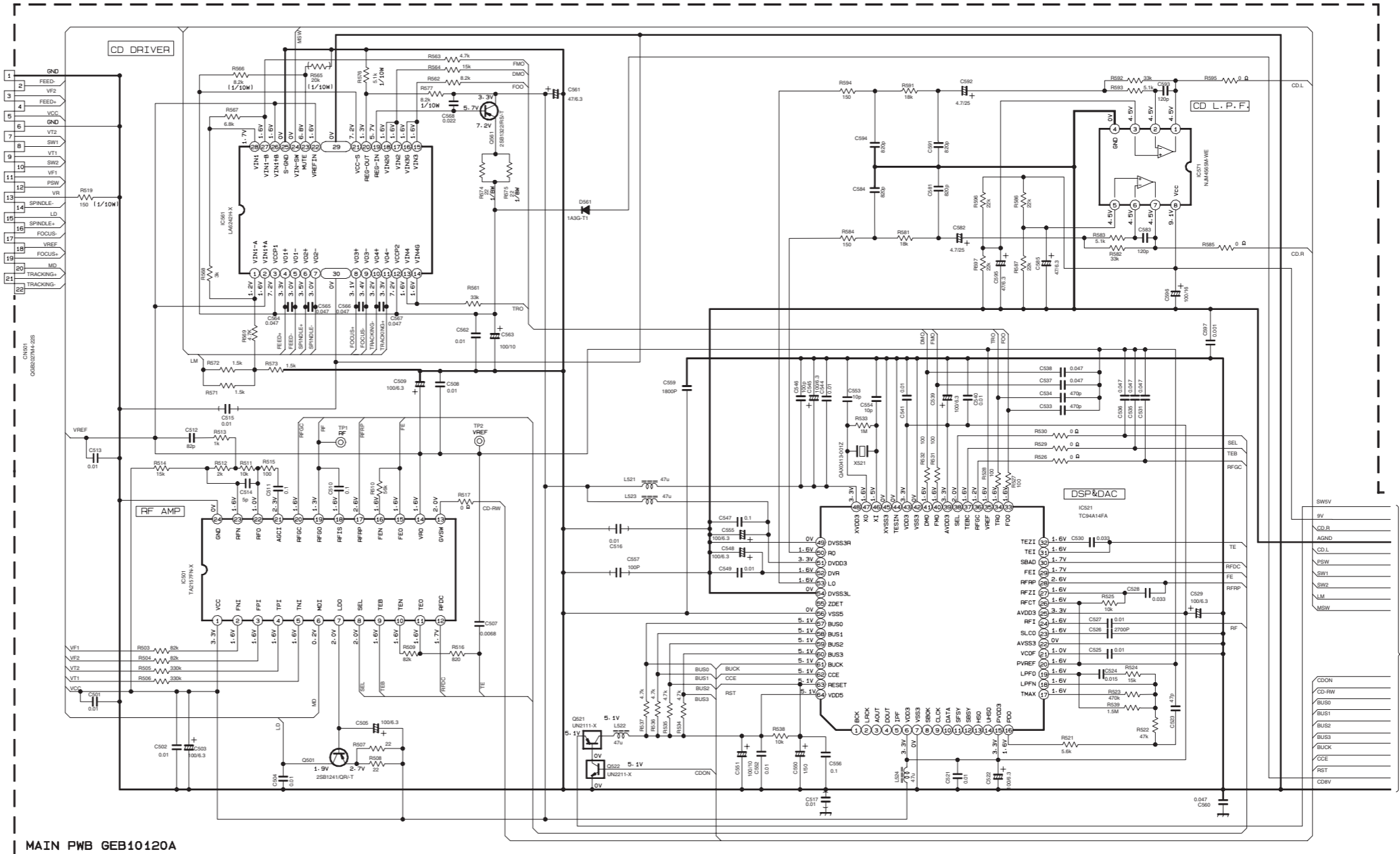
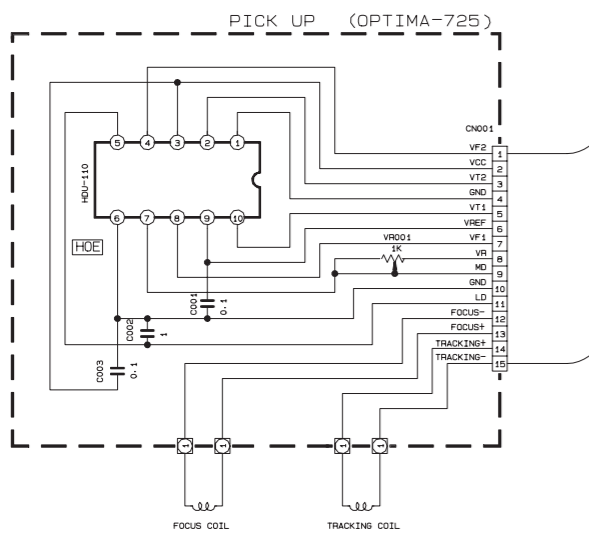
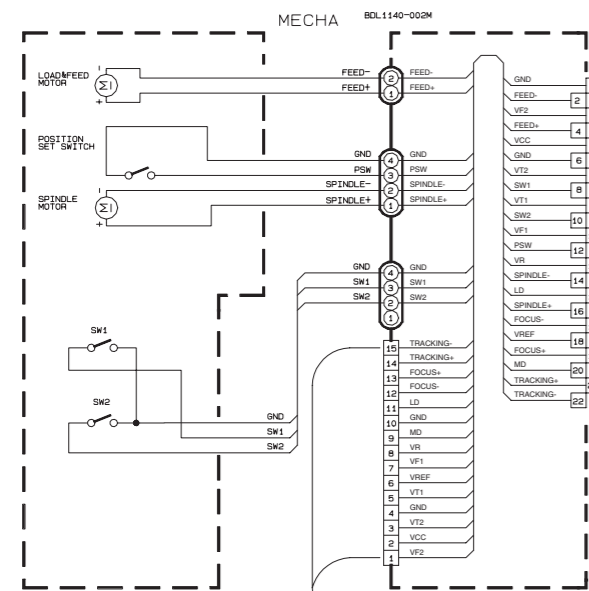
⚠ Parts are safety assurance parts. When replacing those parts make sure to use the specified one.

- NOTES
- VOLTAGES ARE DC-MEASURED WITH A DIGITAL VOLT METER WITHOUT INPUT SIGNAL CONDITION—FM MODE. () AM MODE. () CD MODE.
 - UNLESS OTHERWISE SPECIFIED, ALL RESISTORS ARE 1/16W ± 5% METAL GLAZE RESISTOR. ALL CAPACITORS ARE 50V OR 25V CERAMIC CAPACITOR. ALL RESISTANCE VALUES ARE IN OHM. ALL CAPACITANCE VALUES ARE IN uF(P=PF) ALL E-CAPACITORS ARE SHOWN IN THE FORM OF CAPACITANCE(uF)/RATED VOLTAGE(V) TF = T.F. CAPACITOR
 - COMPONENTS IN () INDICATE NOT USED.

	10K	UN211
	10K	UN211
	10K	UN211
	10K	UN211

MODEL KD-G151E SERIES
KD-G152E SERIES

CD servo control section

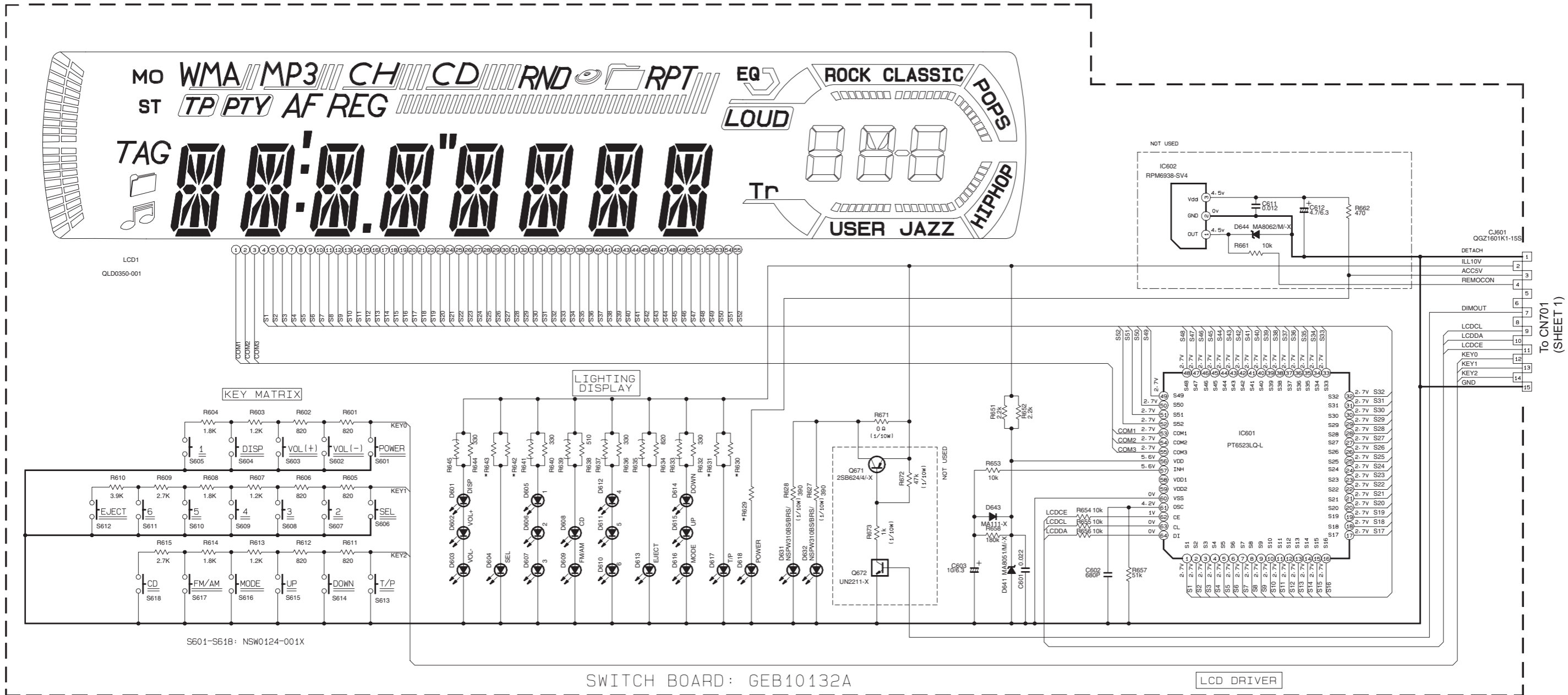


- NOTES**
- VOLTAGES ARE DC-MEASURED WITH A DIGITAL VOLT METER WITHOUT INPUT SIGNAL CONDITION --- CD MODE.
 - UNLESS OTHERWISE SPECIFIED, ALL RESISTORS ARE 1/16W ± 5% METAL GLAZE RESISTOR. ALL CAPACITORS ARE 50V OR 25V CERAMIC CAPACITOR. ALL RESISTANCE VALUES ARE IN OHM. ALL CAPACITANCE VALUES ARE IN uF (P-pF) ALL E. CAPACITORS ARE SHOWN IN THE FORM OF CAPACITANCE(uF)/RATED VOLTAGE(V)

MODEL
KD-G151E SERIES
KD-G152E SERIES

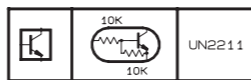
To SHEET 1

■ LCD & Key control section



	KD-G151E	KD-G152E
D604, D617	SML-310VT/JK/-X	SML-310LT/MN/-X
D601-D603 D605-D607 D610-D616	SML-310VT/JK/-X	SML-310VT/JK/-X
D608, D609, D618	SML-310LT/MN/-X	SML-310LT/MN/-X
R629	910	820
R630, R642	1300	1200
R631, R643	1300	—

FRONT CIRCUIT BOARD SECTION



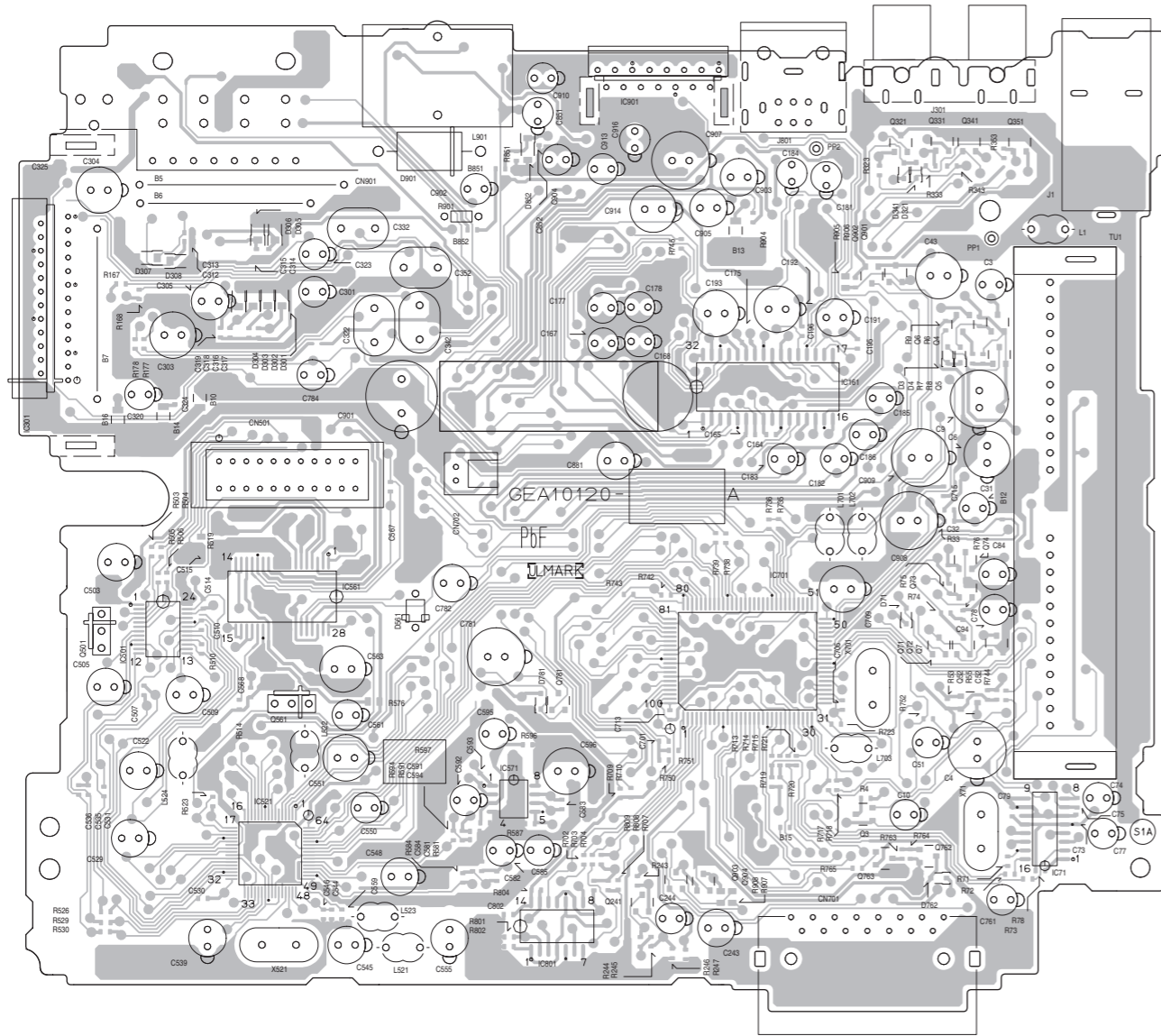
- NOTES
- VOLTAGES ARE DC-MEASURED WITH A DIGITAL VOLT METER WITHOUT INPUT SIGNAL.
 - UNLESS OTHERWISE SPECIFIED, ALL RESISTORS ARE 1/16W METAL GLAZE RESISTORS. ALL CAPACITORS ARE 50V OR 25V CERAMIC CAPACITOR. ALL RESISTANCE VALUES ARE IN OHM. ALL CAPACITANCE VALUES ARE IN uF (P=pF) ALL E. CAPACITORS ARE SHOWN IN THE FORM OF CAPACITANCE(uF)/RATED VOLTAGE(V) T --- TANTALUM CAPACITOR.
 - COMPONENTS IN () INDICATE NOT USE.

MODEL KD-G151E SERIES
KD-G152E SERIES

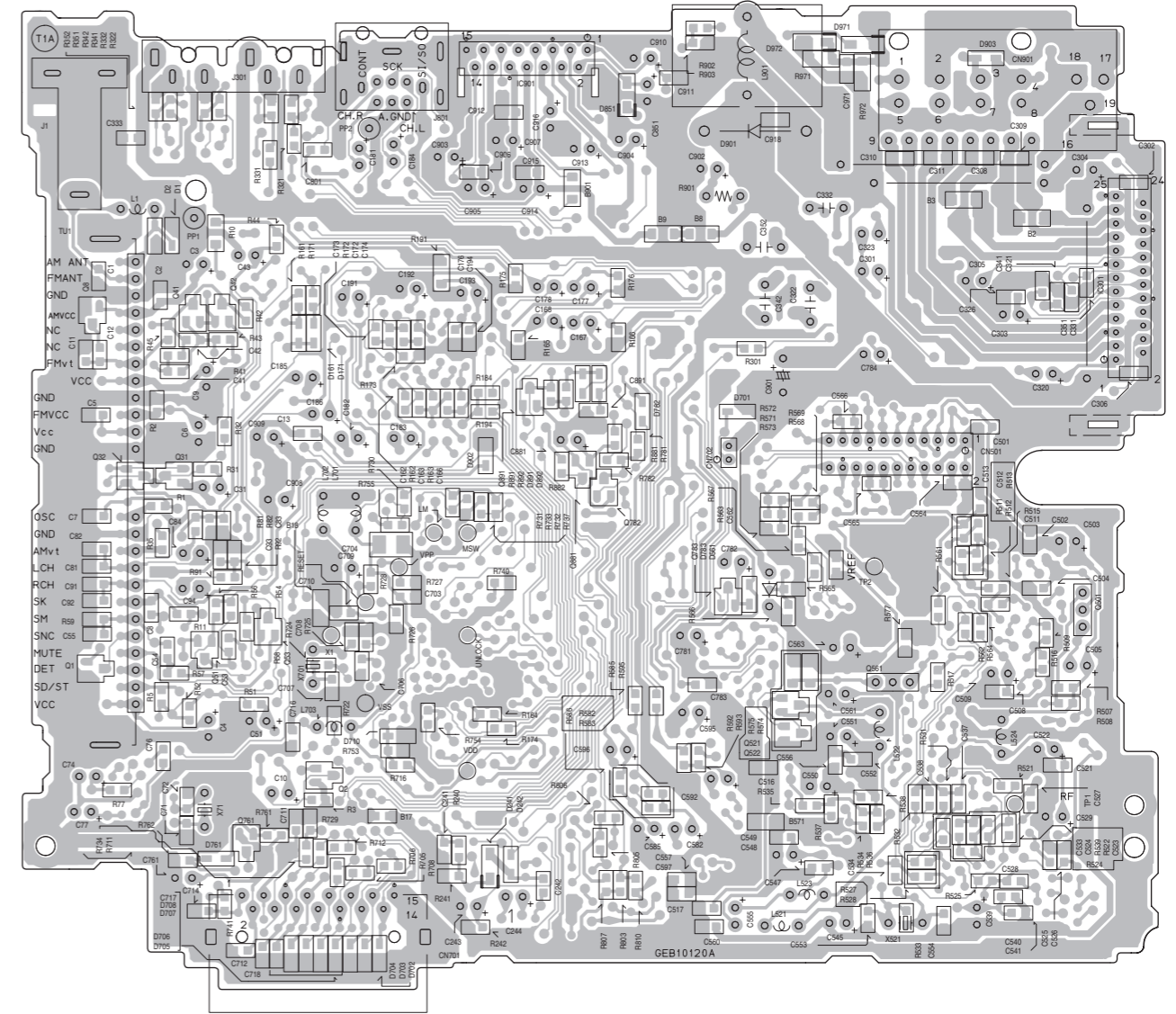
Printed circuit boards (For KD-G151 and KD-G152 E, EX, EY, EU version)

■ Main board

Forward side

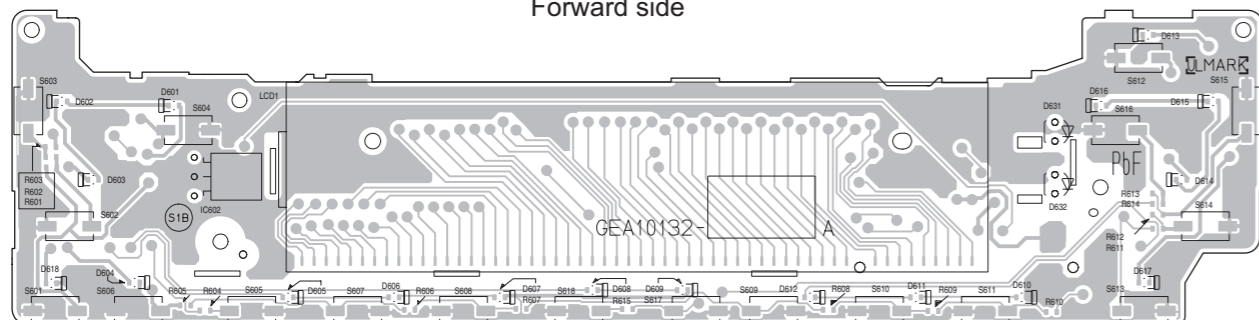


Reverse side

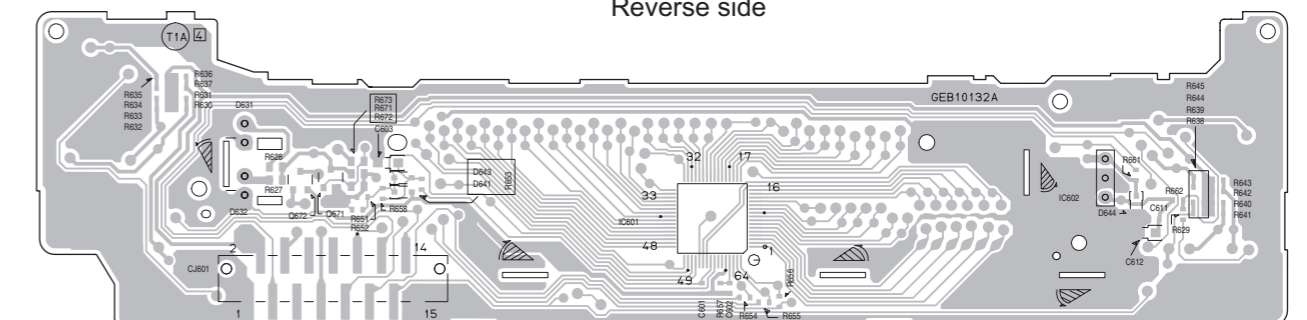


■ Switch board

Forward side

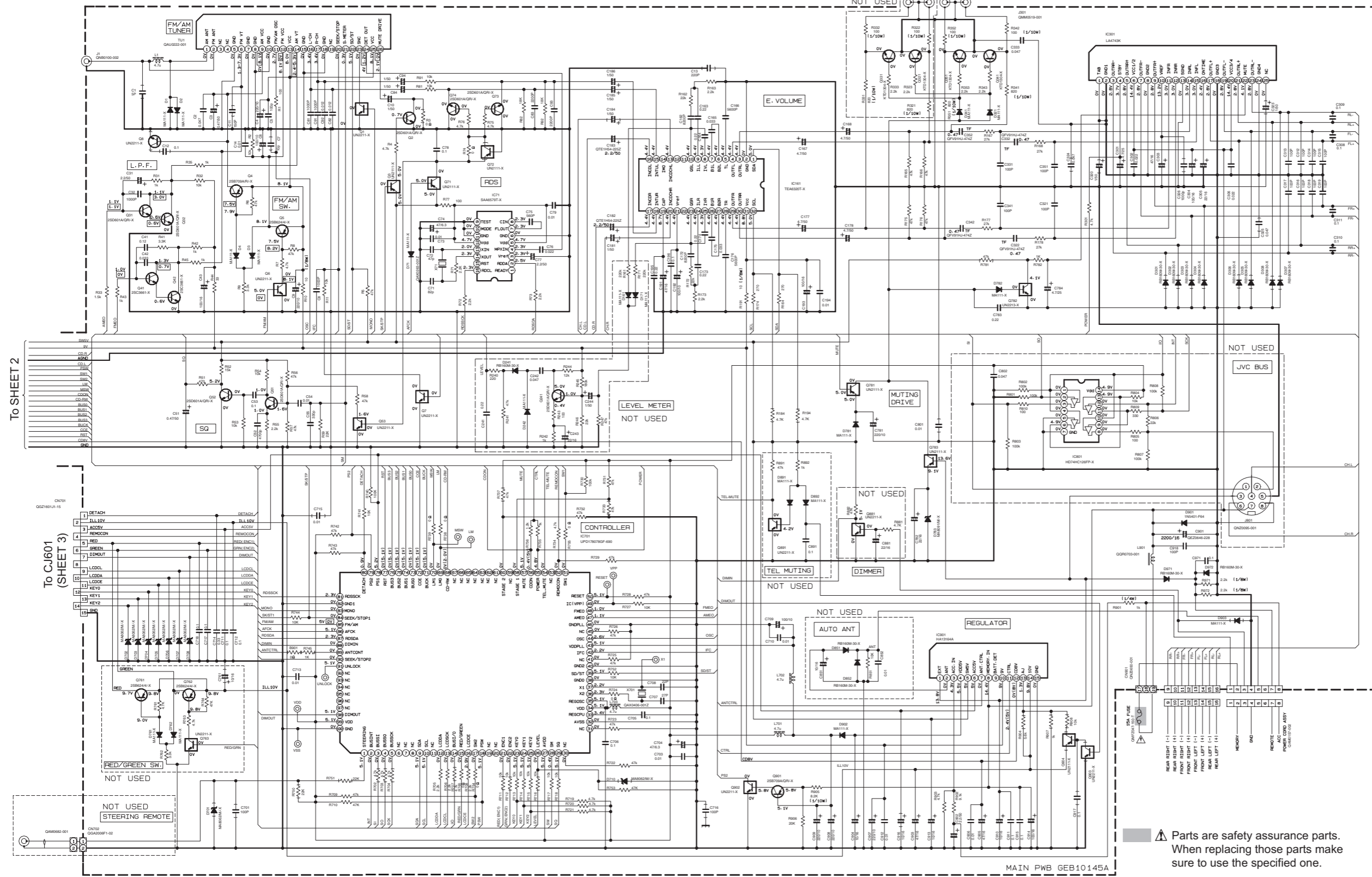


Reverse side



Standard schematic diagrams (For KD-G151 and KD-G152 E2, EX2, EY2, EU2 version)

■ Main amplifier section

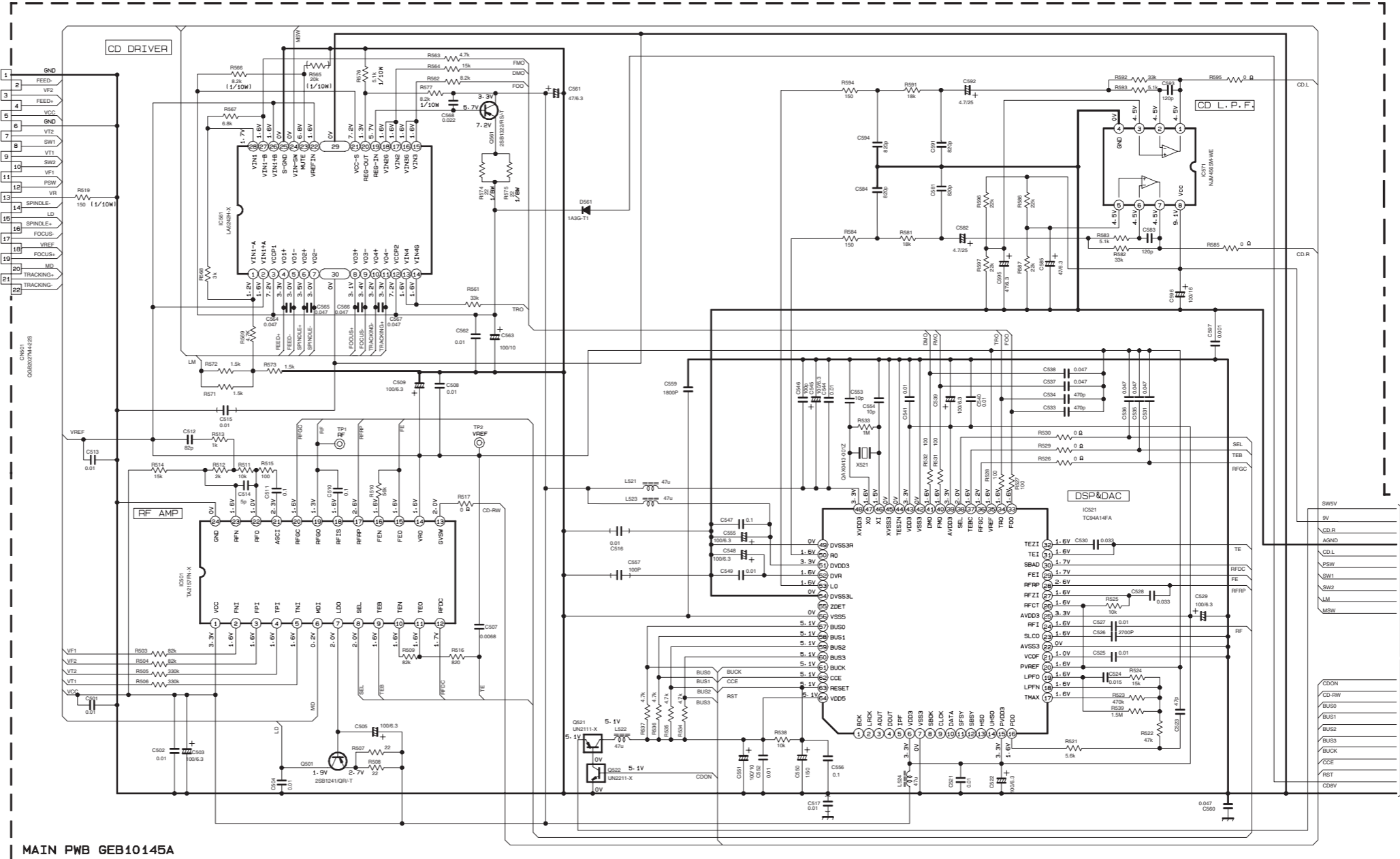
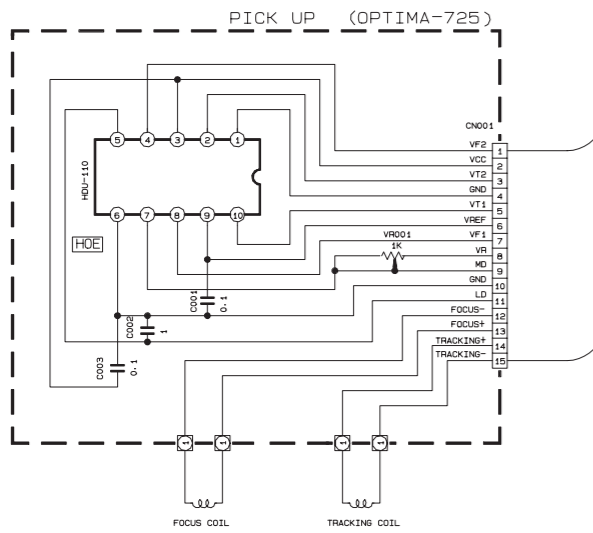
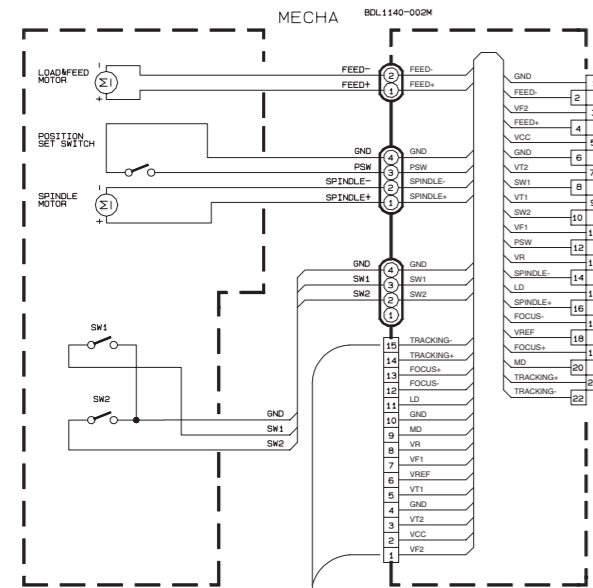


- NOTES
1. VOLTAGES ARE DC-MEASURED WITH A DIGITAL VOLT METER WITHOUT INPUT SIGNAL CONDITION—FM MODE. □ AM MODE. () CD MODE.
 2. UNLESS OTHERWISE SPECIFIED, ALL RESISTORS ARE 1/16W ± 5% METAL GLAZE RESISTOR. ALL CAPACITORS ARE 50V OR 25V CERAMIC CAPACITOR. ALL RESISTANCE VALUES ARE IN OHM. ALL CAPACITANCE VALUES ARE IN uF (p=PF) ALL E. CAPACITORS ARE SHOWN IN THE FORM OF CAPACITANCE(uF)/RATED VOLTAGE(V) TF — T.F. CAPACITOR
 3. COMPONENTS IN () INDICATE NOT USE.

	R	UN211-X
	C	R=10K
	C	UN213-X
	C	R=47K
	C	UN211-X

⚠ Parts are safety assurance parts. When replacing those parts make sure to use the specified one.

CD servo control section



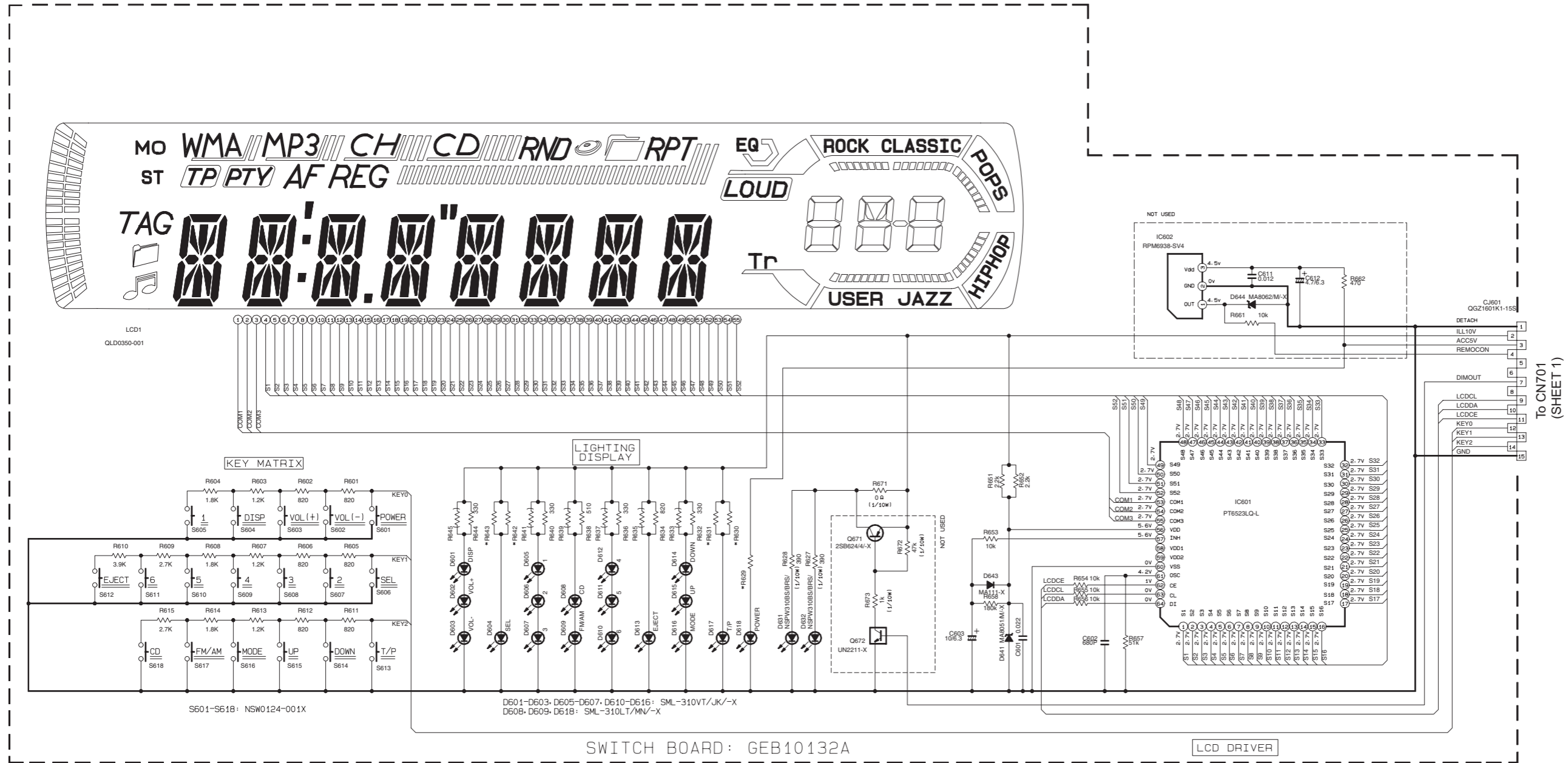
MAIN PWB GEB10145A

To SHEET 1

	10K	UN2211-X
	10K	UN2211-X

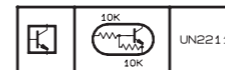
- NOTES
- VOLTAGES ARE DC-MEASURED WITH A DIGITAL VOLT METER WITHOUT INPUT SIGNAL CONDITION --- CD MODE.
 - UNLESS OTHERWISE SPECIFIED, ALL RESISTORS ARE 1/16W ± 5% METAL GLAZE RESISTOR, ALL CAPACITORS ARE 50V OR 25V CERAMIC CAPACITOR, ALL RESISTANCE VALUES ARE IN OHM, ALL CAPACITANCE VALUES ARE IN uF(P=pF) ALL E. CAPACITORS ARE SHOWN IN THE FORM OF CAPACITANCE(uF)/RATED VOLTAGE(V)

■ LCD & Key control section



	KD-G151E	KD-G152E
D604-D617	SML-310VT/JK/-X	SML-310LT/MN/-X
R629	910	820
R630-R642	1.3K	1.2K
R631-R643	1.3K	—

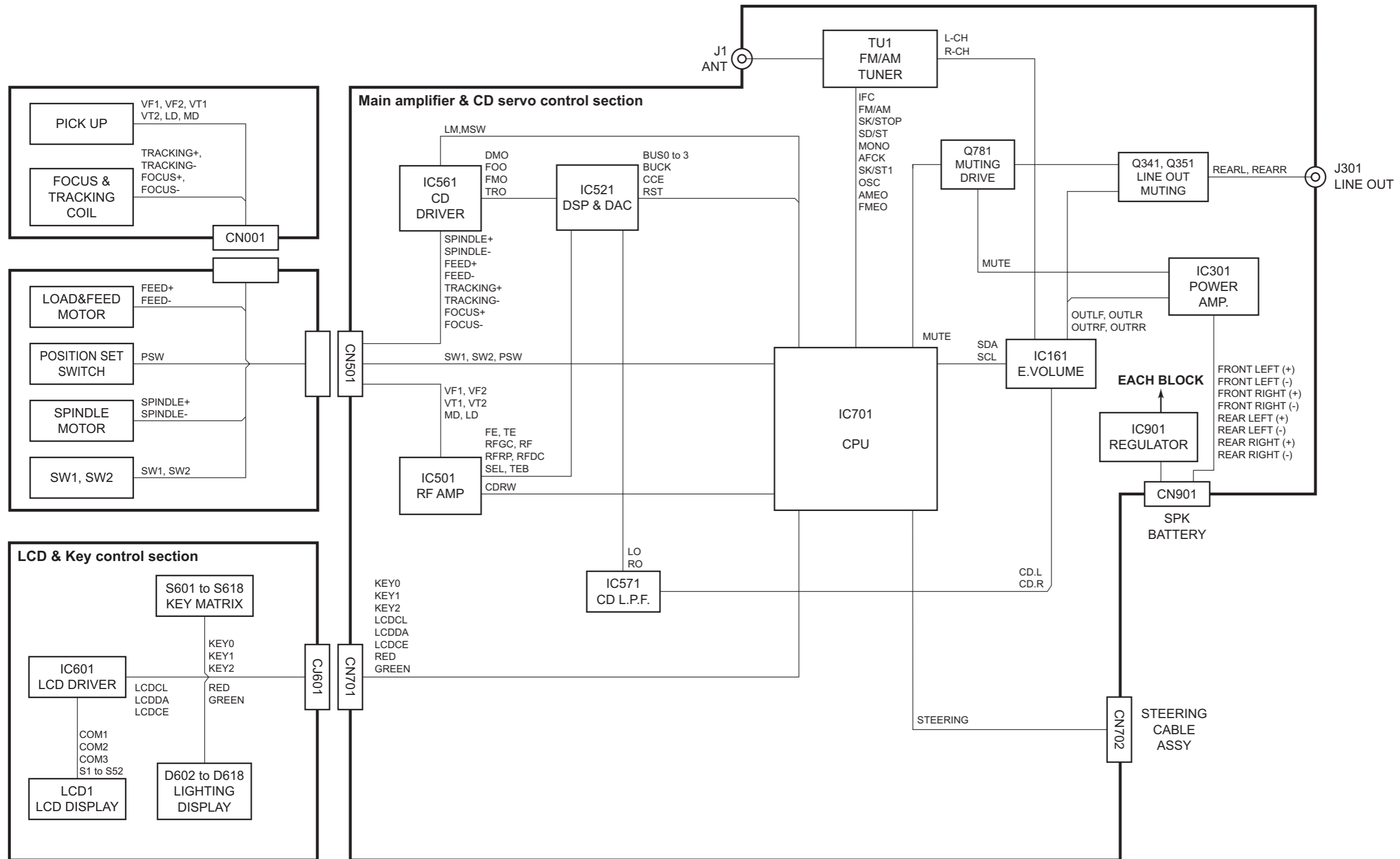
FRONT CIRCUIT BOARD SECTION



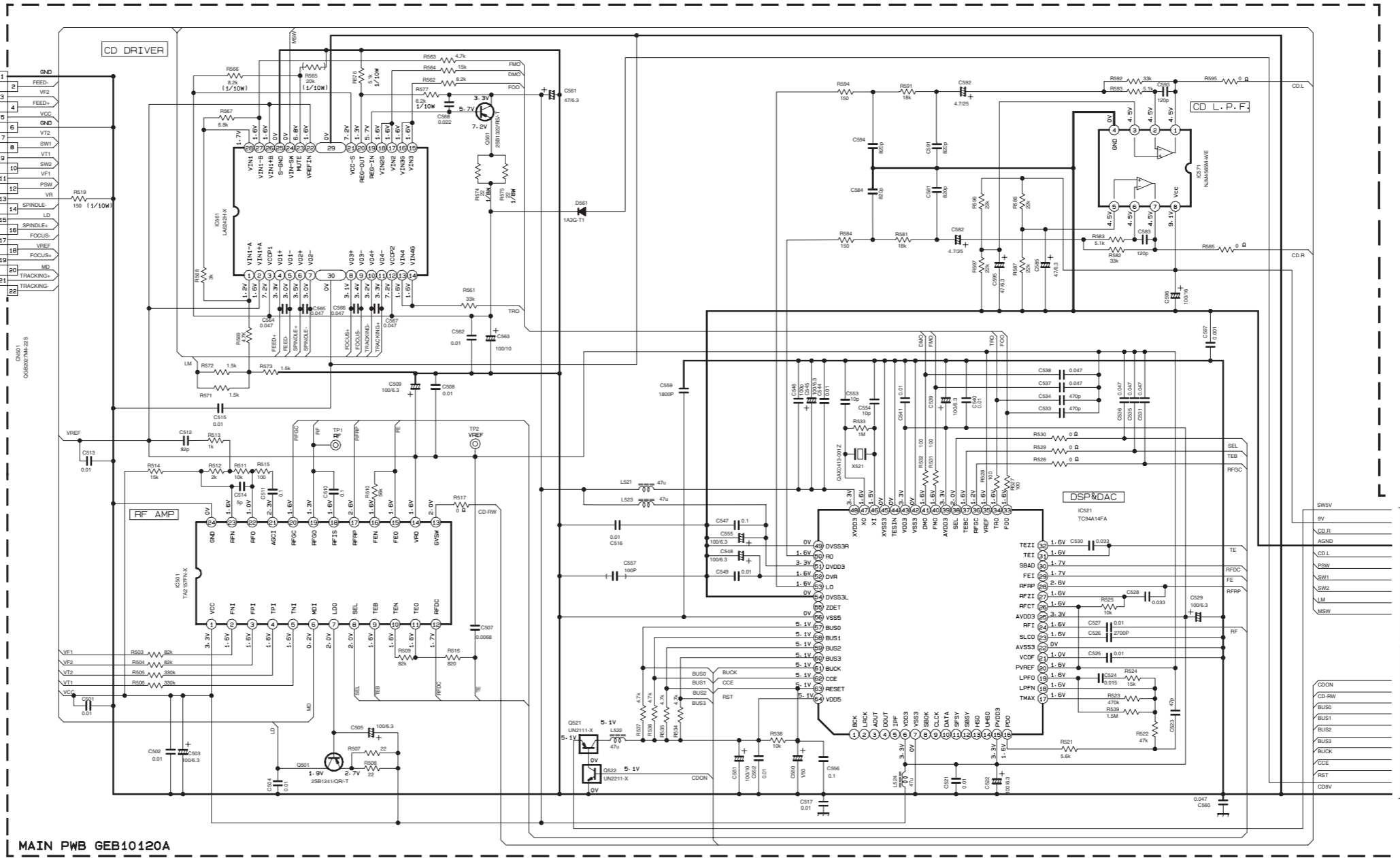
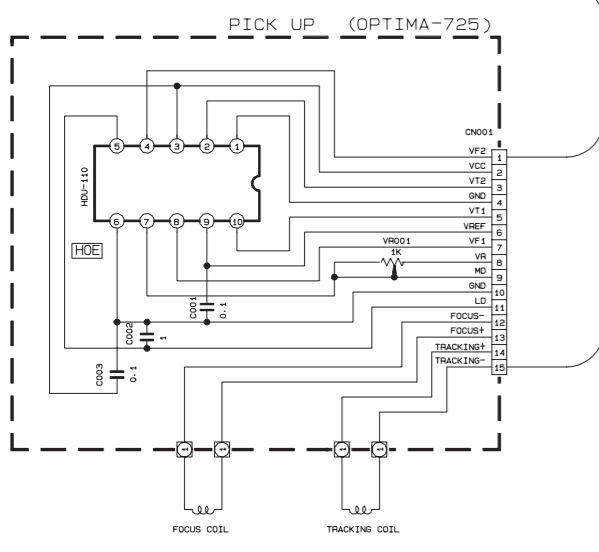
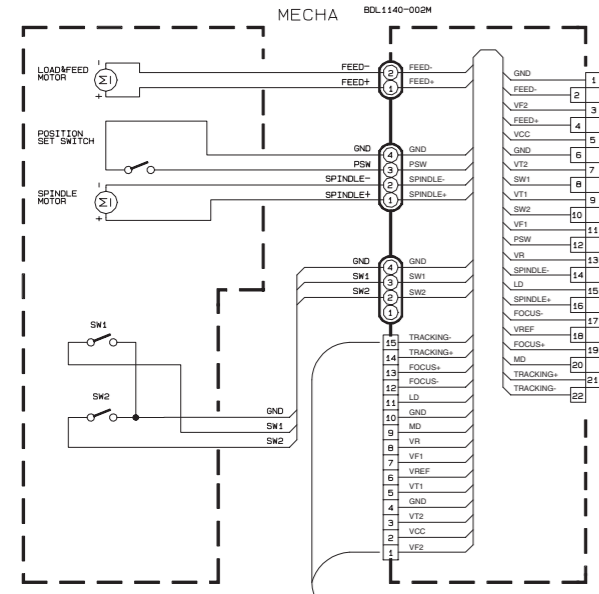
NOTES

- VOLTAGES ARE DC-MEASURED WITH A DIGITAL VOLT METER WITHOUT INPUT SIGNAL.
- UNLESS OTHERWISE SPECIFIED, ALL RESISTORS ARE 1/16W METAL GLAZE RESISTORS. ALL CAPACITORS ARE 50V OR 25V CERAMIC CAPACITOR. ALL RESISTANCE VALUES ARE IN OHM. ALL CAPACITANCE VALUES ARE IN uF(P=PF) ALL E-CAPACITORS ARE SHOWN IN THE FORM OF CAPACITANCE(uF)/RATED VOLTAGE(V) T --- TANTALUM CAPACITOR.
- COMPONENTS IN () INDICATE NOT USE.

Block diagram (For KD-S1501)



CD servo control section

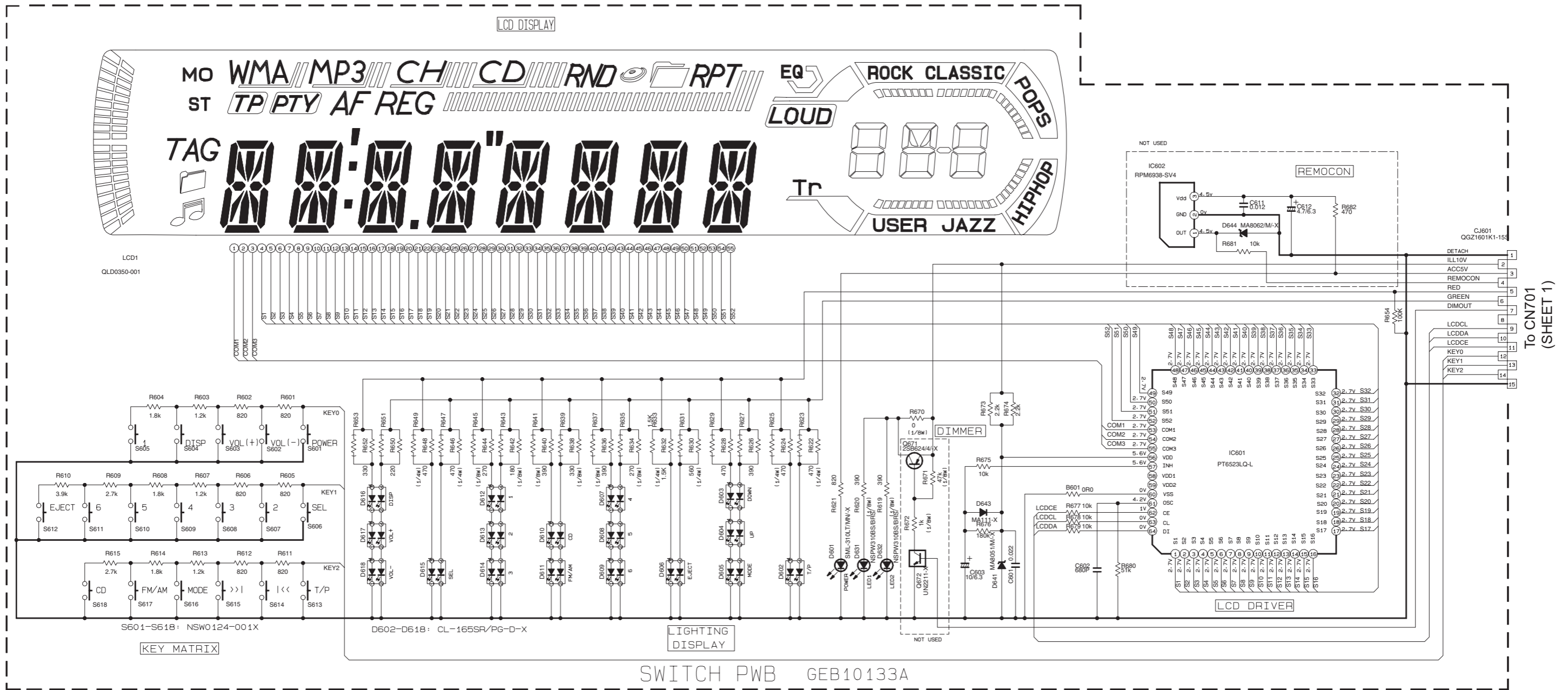


	10K		UN2211-X
	10K		UN2111-X

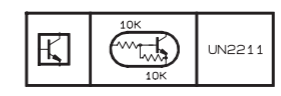
- NOTES
- VOLTAGES ARE DC-MEASURED WITH A DIGITAL VOLT METER WITHOUT INPUT SIGNAL CONDITION --- CD MODE.
 - UNLESS OTHERWISE SPECIFIED, ALL RESISTORS ARE 1/16W ± 5% METAL GLAZE RESISTOR. ALL CAPACITORS ARE 50V OR 25V CERAMIC CAPACITOR. ALL RESISTANCE VALUES ARE IN OHM. ALL CAPACITANCE VALUES ARE IN uF(P=pF) ALL E-CAPACITORS ARE SHOWN IN THE FORM OF CAPACITANCE(uF)/RATED VOLTAGE(V)

MODEL
KD-S1501E SERIES

■ LCD & Key control section



FRONT CIRCUIT BOARD SECTION



NOTES 1. VOLTAGES ARE DC-MEASURED WITH A DIGITAL VOLT METER WITHOUT INPUT SIGNAL.
 2. UNLESS OTHERWISE SPECIFIED, ALL RESISTOR ARE 1/16W ±5% METAL GLAZE RESISTOR. ALL CAPACITORS ARE 50V OR 25V CERAMIC CAPACITOR. ALL RESISTANCE VALUES ARE IN OHM. ALL CAPACITANCE VALUES ARE IN UF(±PF). ALL E-CAPACITORS ARE SHOWN IN THE FORM OF CAPACITANCE (UF1/RATED VOLTAGE(V)).

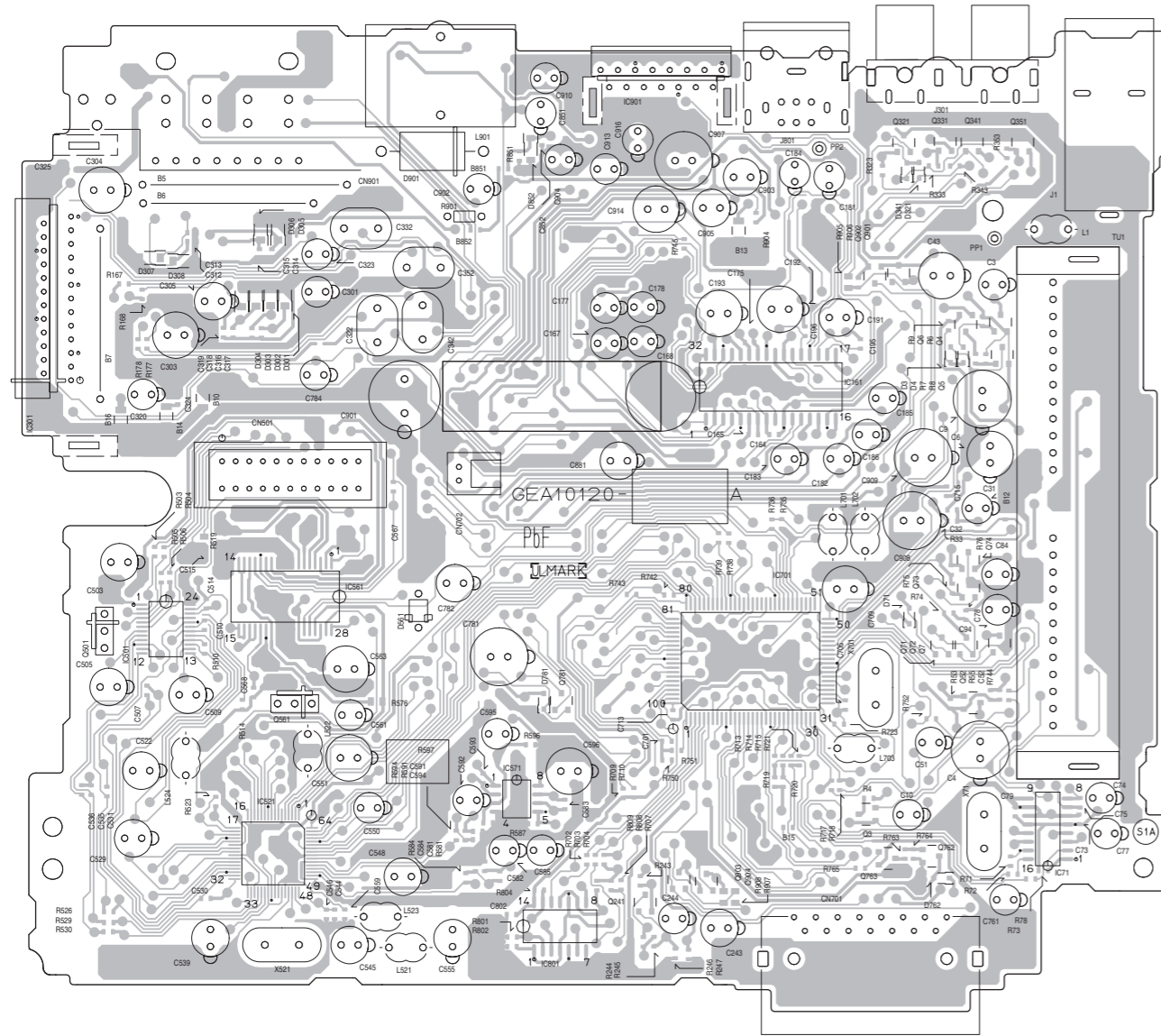
MODEL
 KD-S1501E SERIES

To CN701 (SHEET 1)

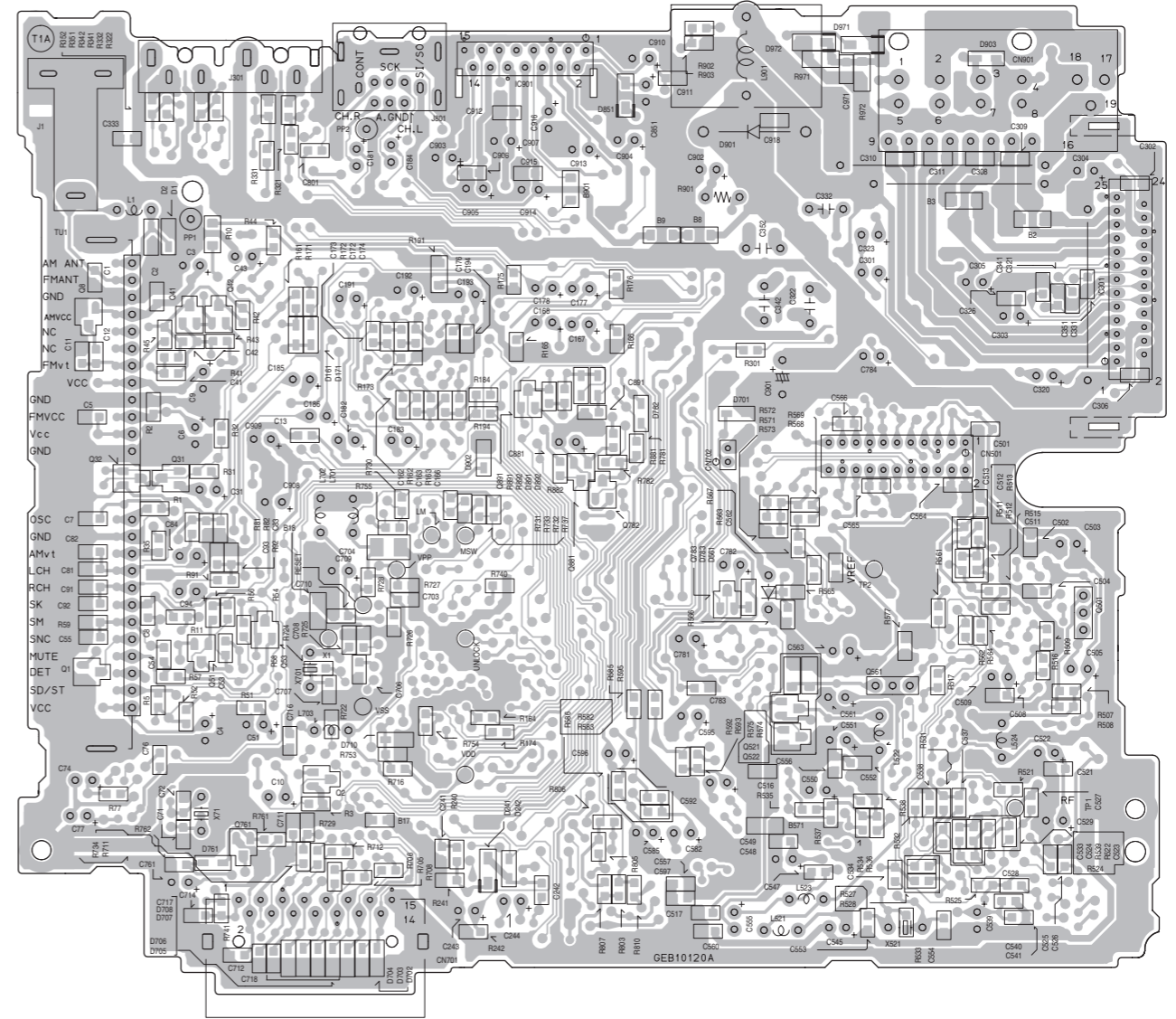
Printed circuit boards (For KD-S1501 E, EX, EY, EU version)

■ Main board

Forward side

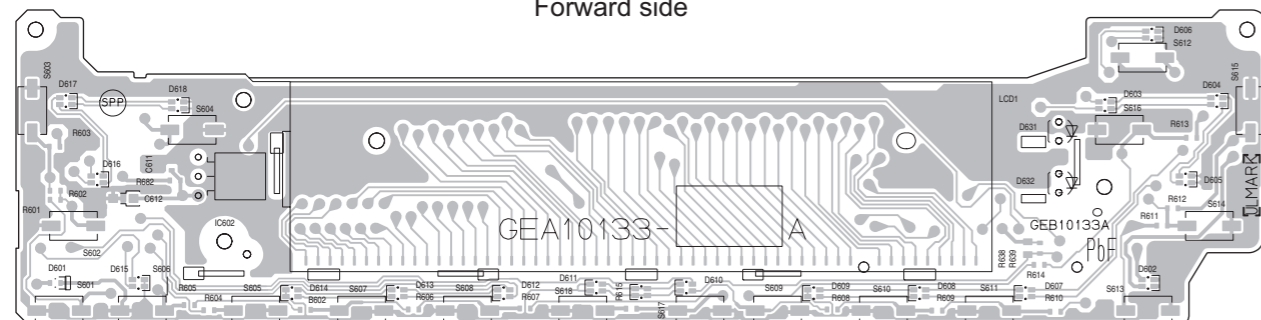


Reverse side

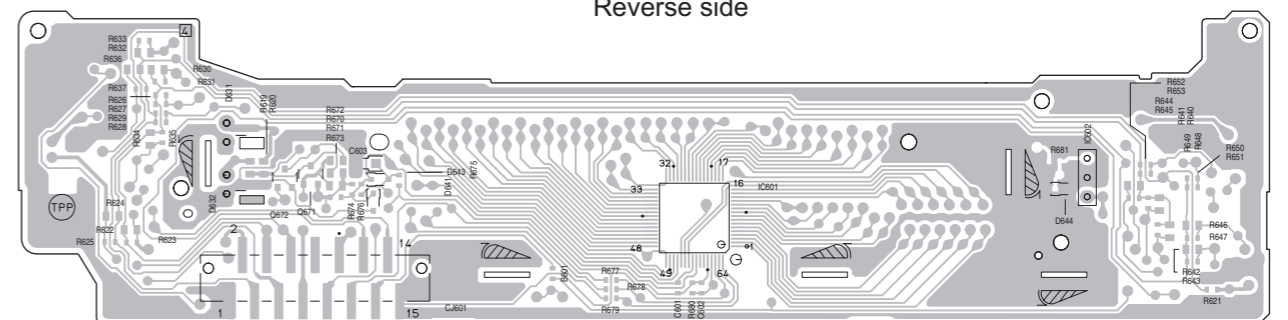


■ Switch board

Forward side

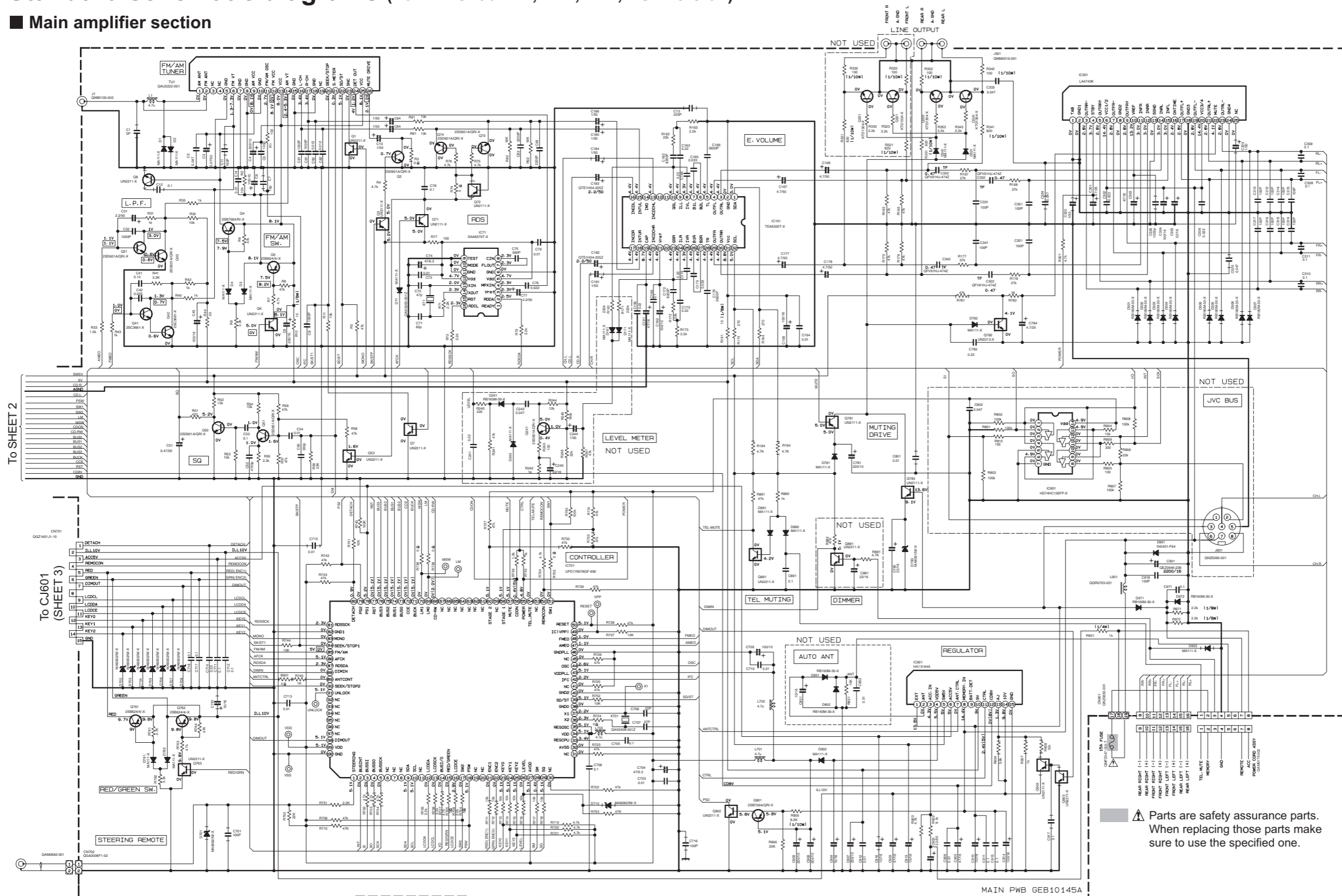


Reverse side



Standard schematic diagrams (For KD-S1501 E2, EX2, EY2, EU2 version)

■ Main amplifier section

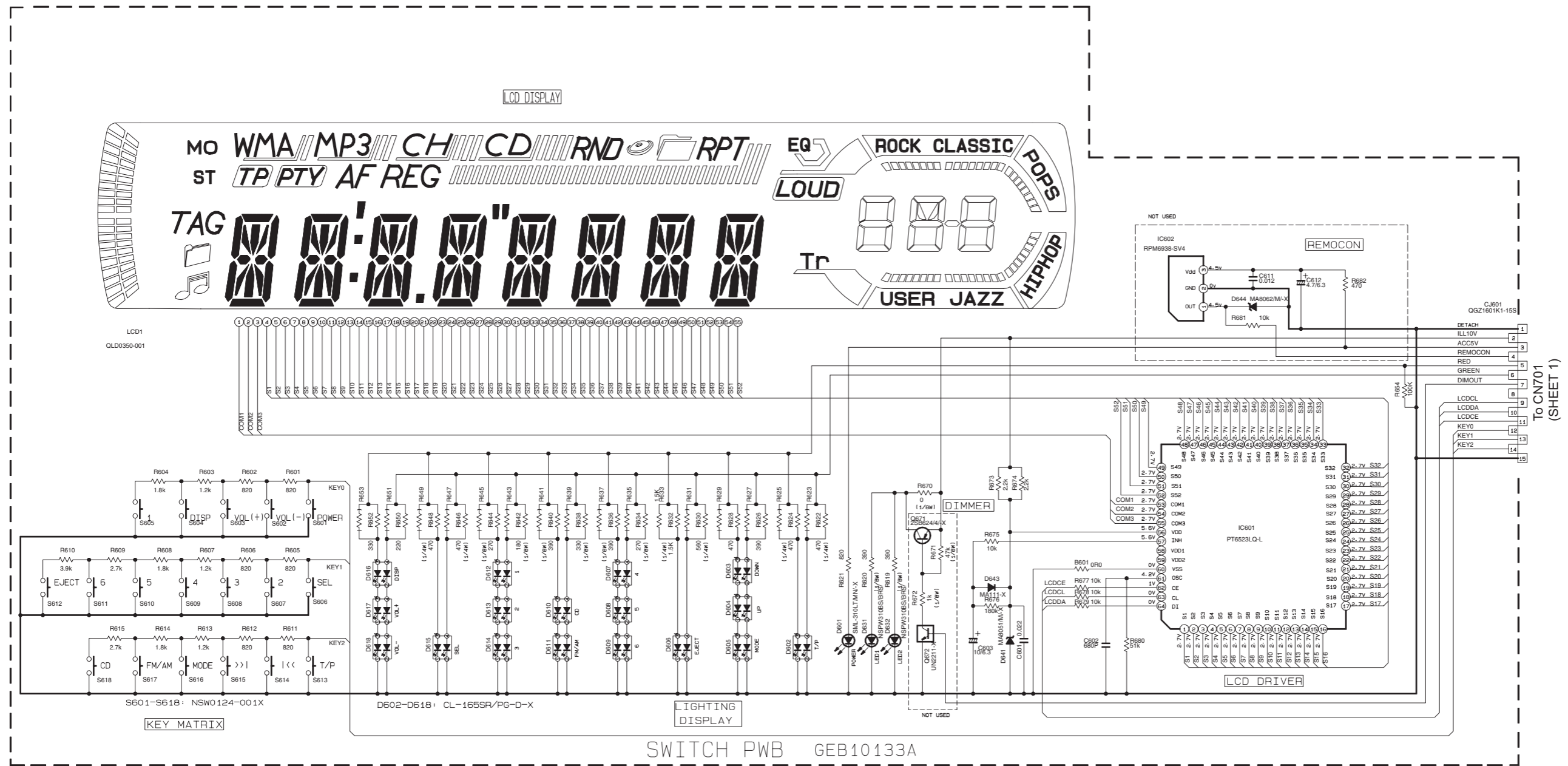


⚠ Parts are safety assurance parts. When replacing those parts make sure to use the specified one.

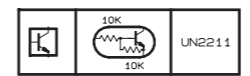
- NOTES
1. VOLTAGES ARE DC-MEASURED WITH A DIGITAL VOLT METER WITHOUT INPUT SIGNAL CONDITION-FM MODE. ————AM MODE. | 1CD MODE.
 2. UNLESS OTHERWISE SPECIFIED:
ALL RESISTORS ARE 1/16W ± 5% METAL GLAZE RESISTOR.
ALL CAPACITORS ARE 50V OR 25V CERAMIC CAPACITOR.
ALL RESISTANCE VALUES ARE IN OHM.
ALL CAPACITANCE VALUES ARE IN μF(P-pF)
ALL CAPACITORS ARE SHOWN IN THE FORM OF CAPACITANCE(μF)/RATED VOLTAGE(V)
TF ——— T.F. CAPACITOR
 3. COMPONENTS IN () INDICATE NOT USE.

	R	UN211-X
	R	RH50K
	R	UN213-X
	R	RH47K
	C	UN211-X
	C	10K

■ LCD & Key control section



FRONT CIRCUIT BOARD SECTION

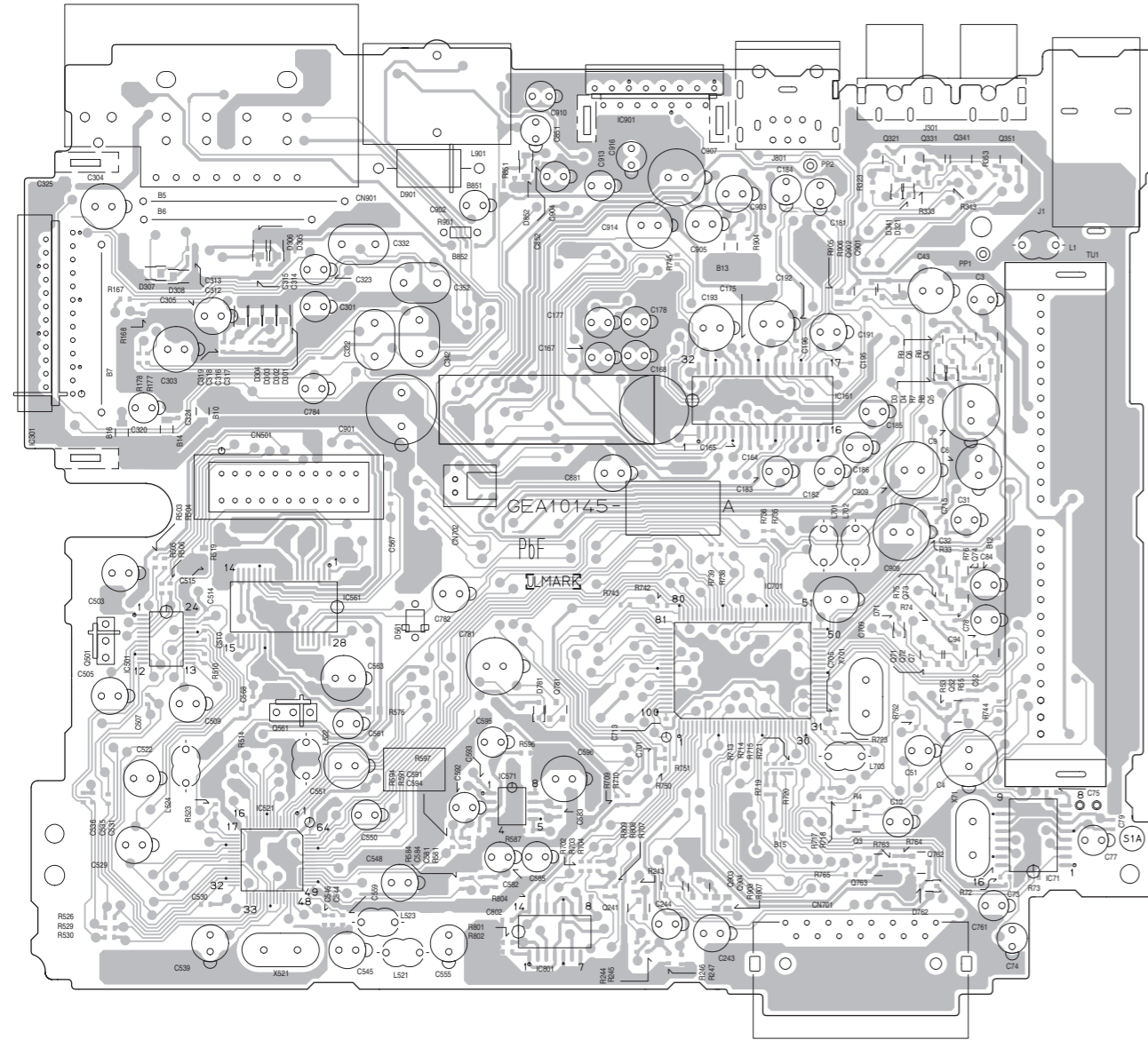


- NOTES
1. VOLTAGES ARE DC-MEASURED WITH A DIGITAL VOLT METER WITHOUT INPUT SIGNAL.
 2. UNLESS OTHERWISE SPECIFIED, ALL RESISTOR ARE 1/16W ±5% METAL GLAZE RESISTOR. ALL CAPACITORS ARE 50V OR 25V CERAMIC CAPACITOR. ALL RESISTANCE VALUES ARE IN OHM. ALL CAPACITANCE VALUES ARE IN UF(P-PF). ALL E. CAPACITORS ARE SHOWN IN THE FORM OF CAPACITANCE (UF)/RATED VOLTAGE(V).

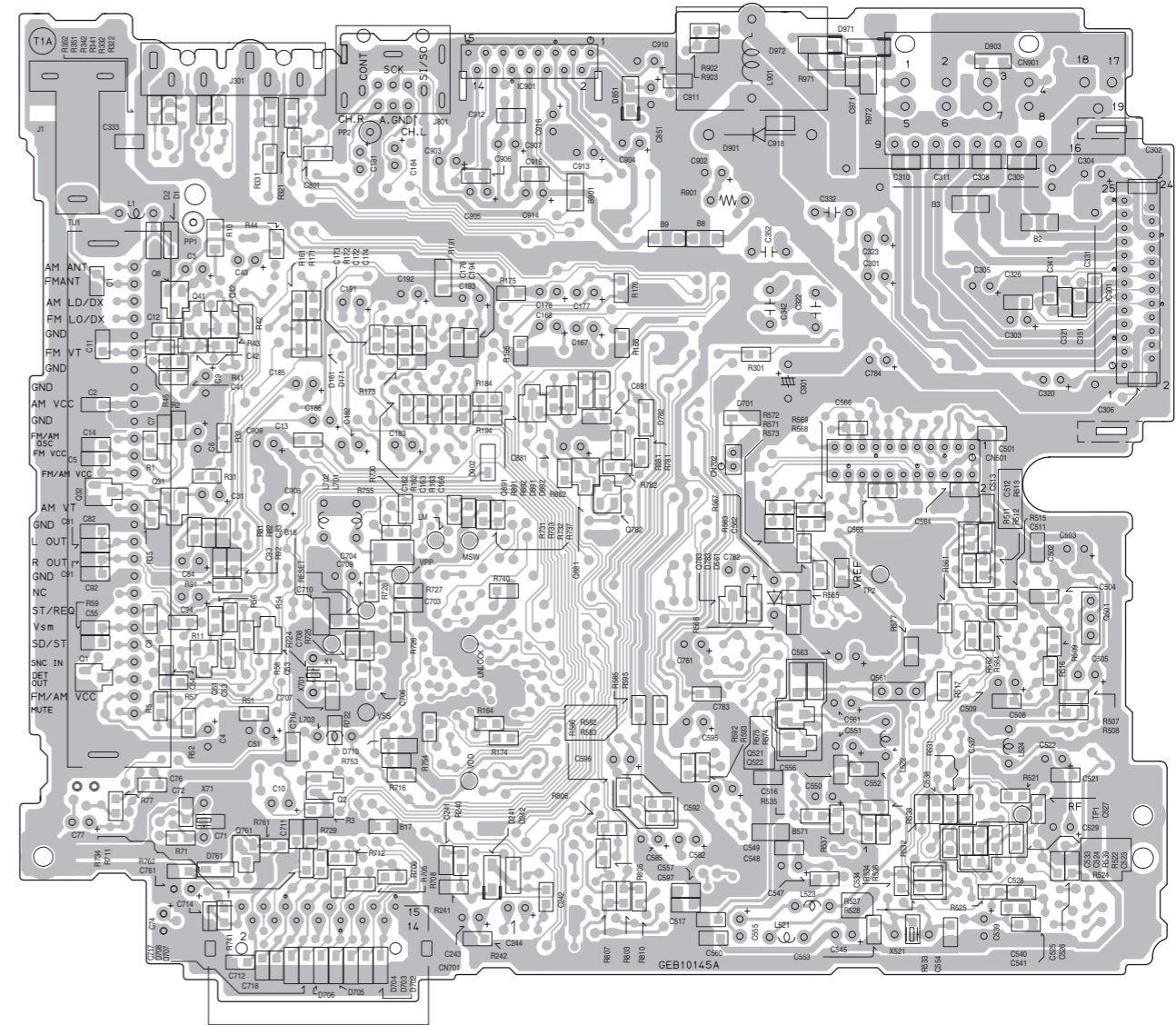
Printed circuit boards (For KD-G1501 E2, EX2, EY2, EU2, version)

■ Main board

Forward side

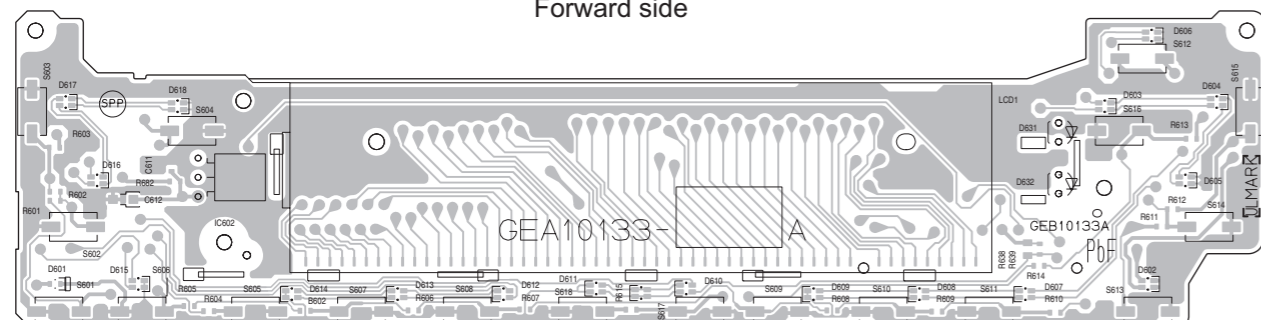


Reverse side

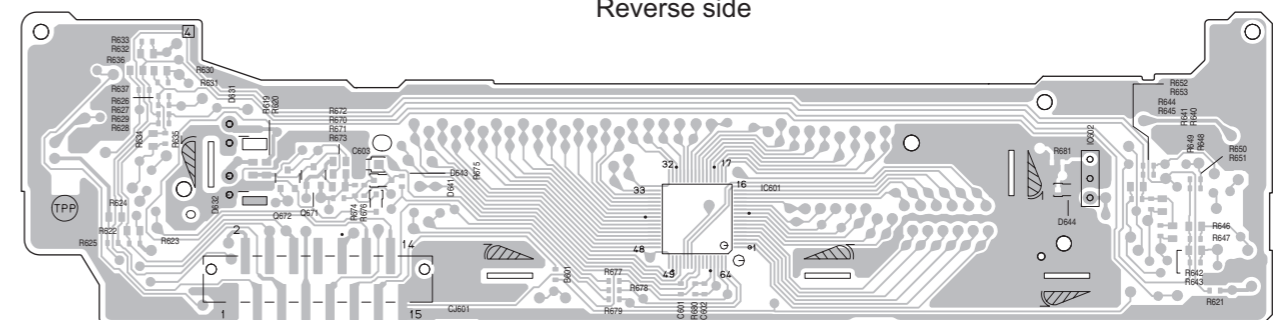


■ Switch board

Forward side



Reverse side



< MEMO >

JVC

Victor Company of Japan, Limited

AV & MULTIMEDIA COMPANY CAR ELECTRONICS CATEGORY 10-1, 1chome, Ohwatari-machi, Maebashi-city, 371-8543, Japan

(No.MA145SCH)



Printed in Japan
VPT